

UT0210 — TWO-PIECE RECESSED ESCUTCHEON

UT0211 — ONE-PIECE ESCUTCHEON

1/2 Inch or 3/4 Inch NPT

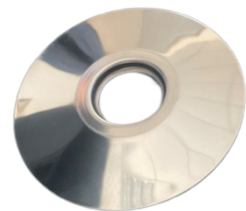
DESCRIPTION

The **UTEC[®]** Series UT0210 Two-Piece Escutcheon is adjustable to reduce the accuracy to which the length of the fixed pipe runs to the sprinkler must be cut.

The **UTEC[®]** Series UT0211 One-Piece Escutcheon is non-adjustable to be used where the position of sprinkler can be fixed by adjusting the length of the interconnection pipe.



UT0210



UT0211

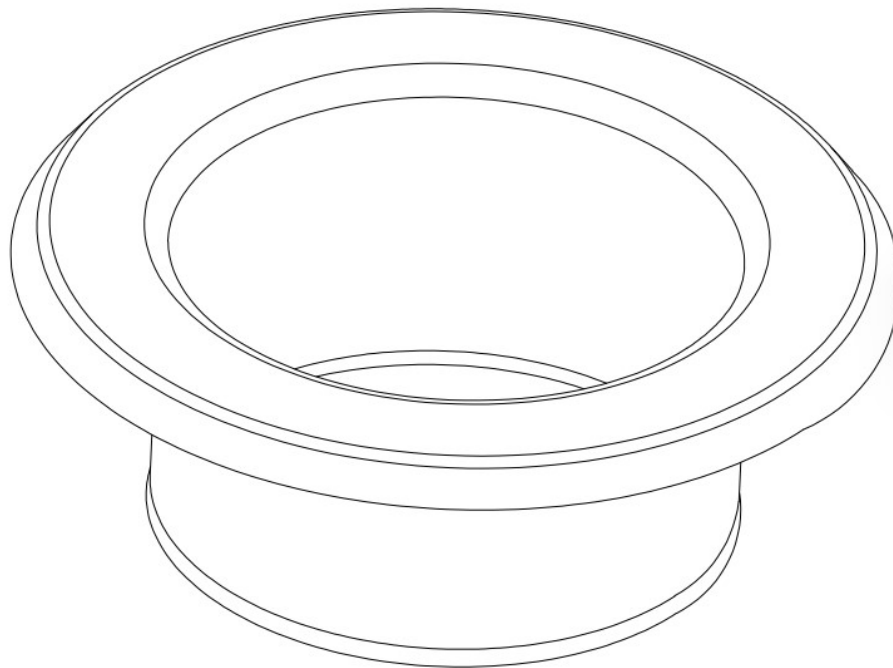
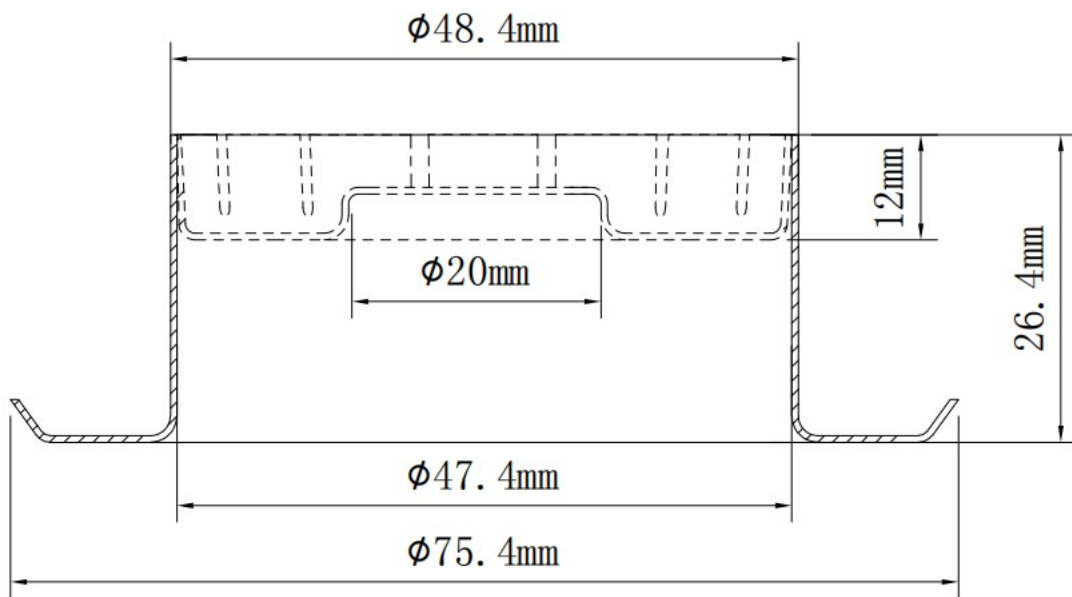
TECHNICAL DATA

Part No.	Thread Inch	Adjustable Inch (mm)	Surface	Material	Size Inch (mm)		
					Outer Dia.	Inner Dia. ①	Height
UT0210	1/2	0.5 (12.5)	<ul style="list-style-type: none"> • Chrome Plated • White Coated • Customized 	SPCC	2.89 (75.4)	1.90 (47.4)	1.04 (26.4)
UT0211.1	1/2	NA	<ul style="list-style-type: none"> • Stainless Steel Color • White Coated • Customized 	SS 304	2.89 (73.6)	NA	0.21 (5.4)
UT0211.2	3/4	NA	<ul style="list-style-type: none"> • Stainless Steel Color • White Coated • Customized 	SS 304	2.89 (73.6)	NA	0.21 (5.4)

NOTE

The **UTEC[®]** Series Sprinkler Escutcheon must be installed and maintained in compliance with standards of NFPA.

UT0210 Escutcheon Dimensions



Note:

① Inner Dia. (47.4mm) Is shown on above, The dimension of the hole in the ceiling should be more than 48.4mm